



ATEX Reducer category 2 Riduttore ATEX categoria 2



CODE **AX121**

- Use of synthetic oil and with oil plugs (oil plugs when possible).
- VITON oil seals.
- Loctite on all external screws.
- Double input seals, when possible.
- Additional output oil seals when possible.
- Indication of maximum temperature gauge.
- Utilizzo di olio sintetico e con tappi olio (tappi olio dove è possibile).
- Anelli di tenuta in VITON.
- Frena filetti su tutte le viti fissaggio esterne.
- Doppio anello di tenuta in entrata, dove è possibile.
- Anelli di tenuta supplementare in uscita dove è possibile.
- Indicatore visivo di temperatura di massima.

Advised / Sugerito



Atex Cat. 2

For more information see our guide «Atex installation and maintenance guide» on our website.

Per ulteriori informazioni, consultare la nostra guida «Atex guida alla manutenzione e installazione» sul nostro sito..

ATEX Reducer category 3 Riduttore ATEX categoria 3

- Use of synthetic oil and with oil plugs (oil plugs when possible).
- Utilizzo di soli olio sintetico e con tappi olio (tappi olio dove è possibile).

CODE **AX222**

Advised / Sugerito

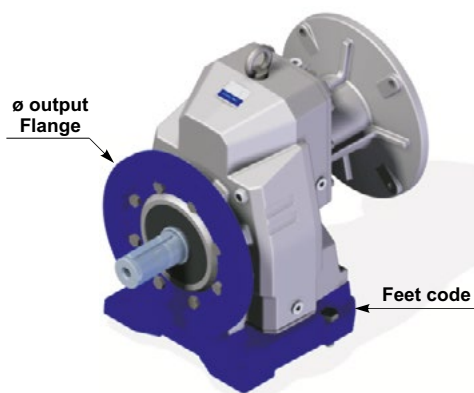


Atex Cat. 3

For more information see our guide «Atex installation and maintenance guide» on our website.

Per ulteriori informazioni, consultare la nostra guida «Atex guida alla manutenzione e installazione» sul nostro sito..

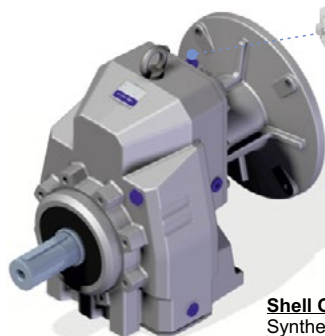
Mounting with feet and output flange / Montaggio con piedini e flangia di uscita



| | ø output Flange | B4 | B5 | B6 | S4 | S6 | S7 | S8 | S9 | H5 | H6 |
|-------------|-----------------|----|----|----|----|----|----|----|----|----|----|
| 501/2/3C | 160 | | | | ● | | | | | | |
| | 200 | | | | ● | | | | | | |
| 701/2/3C | 200 | ● | | | | ● | | | | ● | |
| | 250 | | | | | | | | | ● | |
| 801/2/3C | 250 | | ● | | | | ● | | | | ● |
| | 300 | | | | | | | | | | ● |
| ** 851/2/3C | 300 | | | | | | | ● | | | |
| | 350 | | | | | | | ● | | | |
| 901/2/3C | 300 | | | ● | | | | ● | ● | | |
| | 350 | | | | | | | ● | | | |
| | 450 | | | | | | | | ● | | |

● Available / Disponibile ** Housing with integral feet S8 / Cassa con piede integrale S8

Oil for low temperature and food Olio per basse temperature e alimenti



CODE **OB150**

Agip Blasia 150
Shell Omala
Oil for low temperature
Olio per basse temperature

Advised / Sugerito

Low temperature.

* With pressure oil valve plug

Basse temperature.

* con tappo olio con valvola



CODE **OF320**

Mobil SHC Cibus 320
Oil for food/Olio per alimenti

Oil for food.

Olio per alimenti.

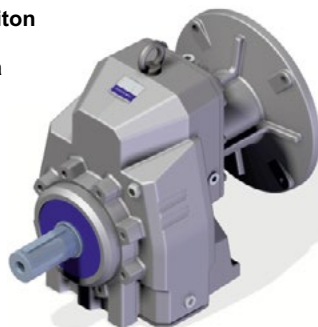
CODE **OS320**

Shell Omala 320
Synthetic oil only available for 801/2/3C,
851/2/3 and 901/2/3C
Olio sintetico disponibile solo per 801/2/3C,
851/2/3 e 901/2/3V

All plugs closed, low internal pressure.

Tappi chiusi, bassa pressione interna.

Output shaft Viton oil seals Anelli di tenuta uscita in Viton



CODE **ATVIU**

| | Type |
|----------------------|---------------------|
| 501/2/3C | 40x80x7 |
| 701/2/3C | 55x100x10 |
| 801/2/3C | 65x120x10 |
| 851/2/3C 901/2/3C | 60x80x8 + spacer |

Advised / Sugerito

For ambient temperature >40°C

Per temperatura ambiente >40°C



Coaxial - ACCESSORIES AND OPTIONS



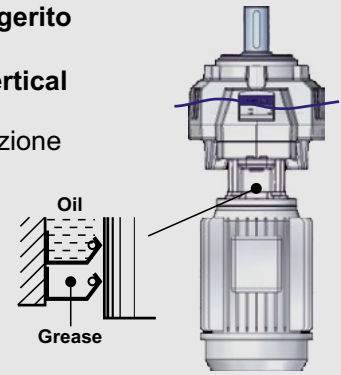
Double input oil seal
Doppio anello di tenuta in entrata

CODE **2ATEN**

Advised / Sugerito



Ideal for V6 vertical position.
Ideale per posizione verticale V6.

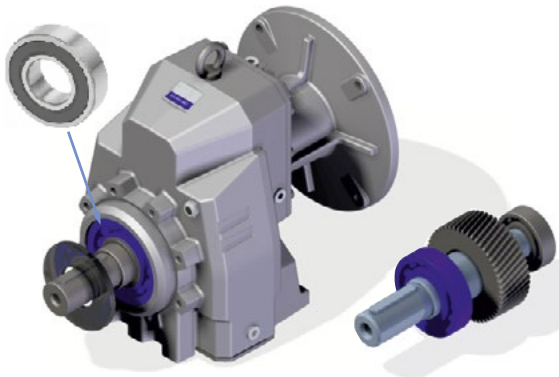


| | 501C | 502C | 503C | 702C / 802C | 703C / 803C | 852C / 902C | 853C / 903C | |
|-------------|---------------|---------------|---------------|---------------|---------------|---------------|---------------|---|
| IEC | 56 B5 | — | — | — | — | — | — | |
| | 63 B5 | — | 35x47x7 | 20x40x7 | — | 35x47x7 | — | |
| | 71 B5 | — | 35x47x7 | Not available | 45x62x7 | 35x47x7 | — | |
| | 80÷90 B5 | 45x62x7 | 35x47x7 | — | 45x62x7 | 35x47x7 | — | |
| | 100÷112 B5 | Not available | Not available | — | Not available | Not available | — | |
| | 132 B5 | Not available | — | — | Not available | — | Not available | |
| | 160 B5 | — | — | — | — | — | Not available | |
| | 180 B5 | — | — | — | — | — | Not available | |
| | 56 B14 | — | — | 15x40x7 | — | — | — | — |
| | 63 B14 | — | — | Not available | — | — | — | — |
| 71 B14 | — | 35x47x7 | 25x40x7 | — | 35x47x7 | — | — | |
| 80 B14 | Not available | 35x47x7 | — | Not available | 35x47x7 | — | Not available | |
| 90 B14 | Not available | 35x47x7 | — | Not available | 35x47x7 | — | Not available | |
| 100÷112 B14 | 45x62x7 | Not available | — | 45x62x7 | Not available | — | 45x62x7 | |
| 132 B14 | — | — | — | Not available | — | — | Not available | |
| NEMA | 56C | — | — | 45x62x7 | 35x47x7 | — | 45x62x7 | |
| | 143/5TC | — | — | 45x62x7 | 35x47x7 | — | 45x62x7 | |
| | 182/4TC | — | — | 45x62x7 | — | Not available | 45x62x7 | |
| | 213/5TC | — | — | — | Not available | — | Not available | |
| | 254/6TC | — | — | — | — | Not available | — | |

Life lubricated bearings
Cuscinetti lubrificati a vita

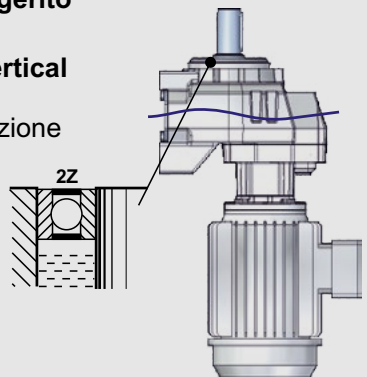
CODE **MONV6**

Advised / Sugerito



| | Type |
|----------------------|------|
| 501/2/3C | 6208 |
| 701/2/3C | 6211 |
| 801/2/3C | 6213 |
| 851/2/3C 901/2/3C | 6312 |

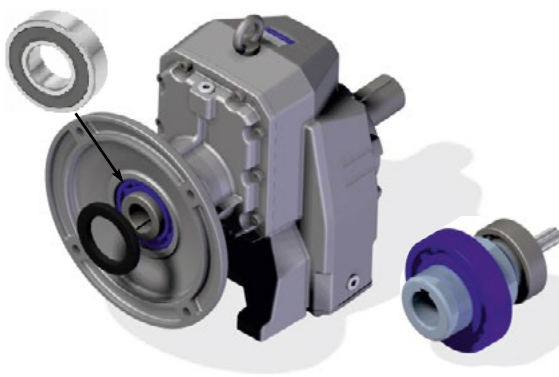
Ideal for V6 vertical position.
Ideale per posizione verticale V6.



Life lubricated bearings
Cuscinetti lubrificati a vita

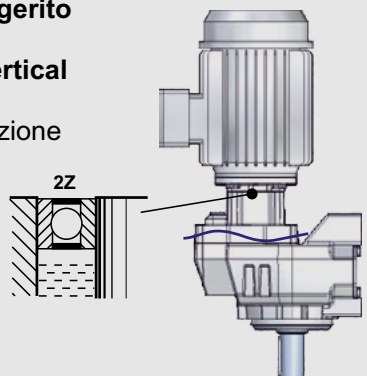
CODE **MONV5**

Advised / Sugerito



| | Type |
|--------------------------------------|------|
| 503C | 6005 |
| 502C 703C 803C | 6007 |
| 501C 702C 802C 853C 903C | 6009 |
| 701C 801C | 6011 |
| 852C 902C | 6013 |
| 851C 901C | 6014 |

Ideal for V5 vertical position.
Ideale per posizione verticale V5.



Coaxial - ACCESSORIES AND OPTIONS



Housing with oil level plugs
Cassa con tappo livello olio



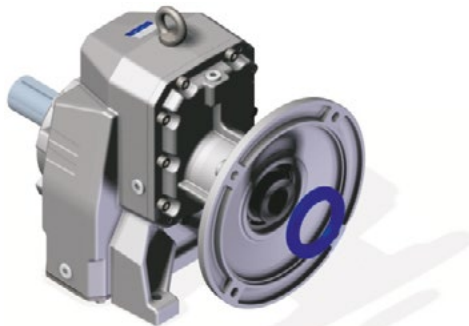
CODE **TOLIV**

| | Type |
|----------|------|
| 501/2/3C | 1/4G |
| 701/2/3C | 3/8G |

Advised / Sugerito

With level oil plug.
Con tappo livello olio.

Input with Viton oil seal
Anello di tenuta Viton in entrata



CODE **Input without coupling**
Entrata senza giunto

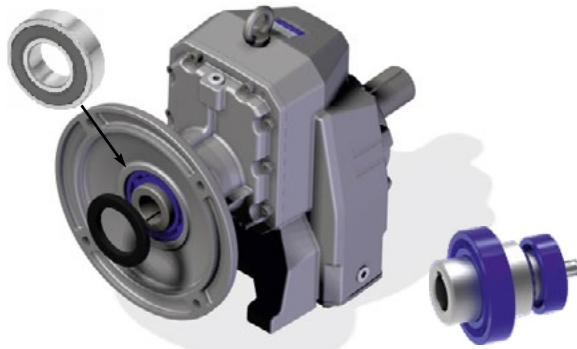
| | Type |
|------|---------|
| 503C | 25x40x7 |
| 502C | 35x47x7 |
| 703C | |
| 803C | |
| 501C | 45x62x8 |
| 702C | |
| 802C | |
| 853C | |
| 903C | |

Advised / Sugerito

For ambient temperature >40°C
Per temperatura ambiente >40°C



Life lubricated two bearings
Due Cuscinetti lubrificati a vita



CODE **2CRS1**

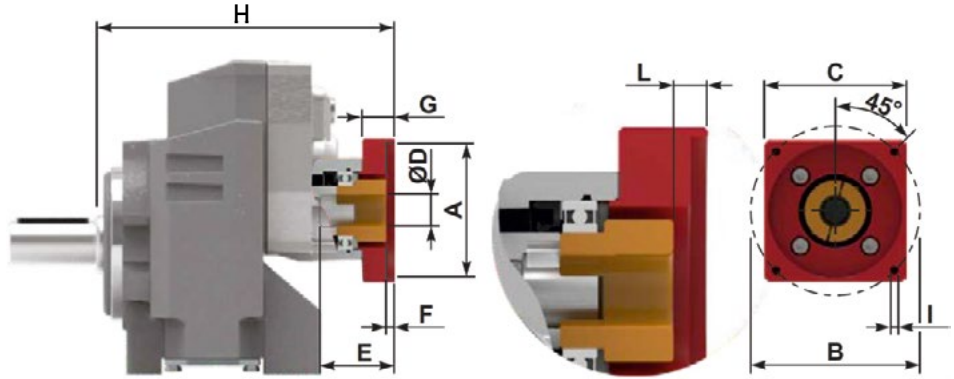
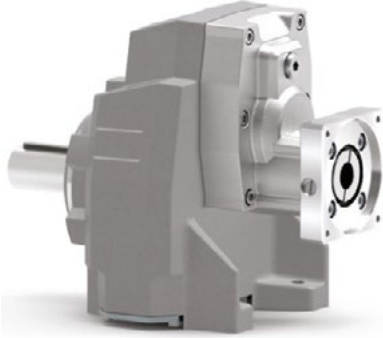
| | Type |
|------|--------------|
| 503C | 6202 6005 |
| 502C | 6004 6007 |
| 703C | |
| 803C | |
| 702C | 6205 6009 |
| 802C | |
| 853C | |
| 903C | |

Advised / Sugerito

Coaxial - ACCESSORIES AND OPTIONS



Flanges for servomotors Flange per servomotori



Type 502C 503C 702C 703C 802C 803C
Nm 320 320 675 675 900 900

| Input flanges Kit Code | Bushing Kit Code | Coupling Kit Code | Motor shaft Ø | H | | | | | | | | | | H | | | | | | | | | | | |
|---------------------------|---------------------|----------------------|------------------|-----|-----|-----|-----|------|-----|----|------|-------|-----|-------|--|-------|-------|--|--|--|--|--|-----|-----|--|
| | | | | A | B | C | ØD | E | F | G | L | I | | | | | | | | | | | | | |
| K0504072 | KBR1114G | KC355190L | Ø11 | 60 | 75 | 70 | Ø14 | 38 | 4.5 | 23 | 9 | M5x12 | | 215.5 | | | | | | | | | | | |
| K0504072 | - | KC355190L | Ø14 | 60 | 75 | 70 | Ø14 | 38 | 4.5 | 23 | 9 | M5x12 | | 215.5 | | | | | | | | | | | |
| K0504073 | - | KC355190L | Ø14 | 50 | 70 | 70 | Ø14 | 38 | 4.5 | 23 | 9 | M5x12 | | 215.5 | | | | | | | | | | | |
| K0504074 | - | KC355190L | Ø14 | 80 | 100 | 85 | Ø14 | 38 | 4.5 | 23 | 9 | M6x12 | | 215.5 | | | | | | | | | | | |
| K0634072 | KBR1422G | KC405190L | Ø14 | 60 | 75 | 90 | Ø22 | 55.5 | 4.5 | 25 | 9 | M5x12 | 210 | | | | 264.5 | | | | | | | 273 | |
| K0634073 | KBR1422G | KC405190L | Ø14 | 50 | 70 | 80 | Ø22 | 55.5 | 4.5 | 25 | 9 | M5x12 | 210 | | | | 264.5 | | | | | | | 273 | |
| K0634074 | KBR1422G | KC405190L | Ø14 | 80 | 100 | 85 | Ø22 | 55.5 | 4.5 | 25 | 9 | M6x12 | 210 | | | | 264.5 | | | | | | | 273 | |
| K0634075 | KBR1922G | KC405190L | Ø19 | 95 | 115 | 100 | Ø22 | 55.5 | 4.5 | 25 | 9 | M8x12 | 210 | | | | 264.5 | | | | | | | 273 | |
| K0634076 | - | KC405190L | Ø22 | 110 | 145 | 130 | Ø22 | 60.5 | 4.5 | 30 | 14 | M8x14 | 215 | | | | 269.5 | | | | | | | 278 | |
| K0634078 | KBR1922G | KC405190L | Ø19 | 70 | 90 | 90 | Ø22 | 55.5 | 4.5 | 25 | 9 | M6x12 | 210 | | | | 264.5 | | | | | | | 273 | |
| K0854075 | KBR1924G | KC505190L | Ø19 | 95 | 115 | 100 | Ø24 | 58 | 4.5 | 26 | 9.5 | M8x14 | | | | 255.5 | | | | | | | 264 | | |
| K0854076 | KBR2224G | KC505190L | Ø22 | 110 | 145 | 130 | Ø24 | 62 | 5 | 30 | 13.5 | M8x14 | | | | 259.5 | | | | | | | 268 | | |
| K0854077 | - | KC505190L | Ø24 | 130 | 165 | 140 | Ø24 | 58 | 5 | 26 | 9.5 | M8x14 | | | | 255.5 | | | | | | | 264 | | |
| K0854078 | - | KC505190L | Ø19 | 70 | 90 | 95 | Ø24 | 58 | 4.5 | 26 | 9.5 | M6x14 | | | | 255.5 | | | | | | | 264 | | |

Supplied with
reduction bushing
Fornito con
bussola di riduzione

Coupling
Giunto

K0504072
Fixing holes
shifted by 35°
Fori fissaggio
motore ruotati
a 35°

**K0504073
K0634078**
Fixing holes
shifted by 30°
Fori fissaggio
motore ruotati
a 30°

**K0634072
K0634073**
Fixing holes
shifted by 25°
Fori fissaggio
motore ruotati
a 25°

NEMA input flange. Flangia entrata NEMA.

CODE **FLENU**

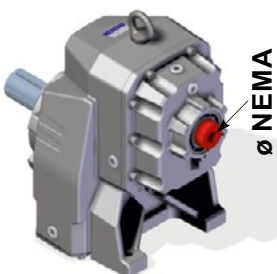
Advised / Sugerito

USA , CANDA , MEXICO.



| | -W | -X | -Y | AA | AB |
|------------------------------|-----------|---------------|---------------|---------------|---------------|
| 703C 803C | 56C-0.625 | 143/5TC-0.875 | — | — | — |
| 852C 902C | — | — | 182/4TC-1.125 | 213/5TC-1.375 | 254/6TC-1.625 |
| 702C 802C 853C 903C | 56C-0.625 | 143/5TC-0.875 | 182/4TC-1.125 | 213/5TC-1.375 | — |

Without NEMA flange Senza flangia NEMA.



| | -K | -N | -S | UA | UB |
|------------------------------|-------|-------|-------|-------|-------|
| 703C 803C | 0.625 | 0.875 | — | — | — |
| 852C 902C | — | — | 1.125 | 1.375 | 1.625 |
| 702C 802C 853C 903C | 0.625 | 0.875 | 1.125 | — | — |



ATEX Reducer category 2 Riduttore ATEX categoria 2

CODE **AX121**



- Use of synthetic oil and with oil plugs (oil plugs when possible).
- VITON oil seals.
- Loctite on all external screws.
- Double input seals, when possible.
- Additional output oil seals when possible.
- Indication of maximum temperature gauge.
- Utilizzo di olio sintetico e con tappi olio (tappi olio dove è possibile).
- Anelli di tenuta in VITON.
- Frena filetti su tutte le viti fissaggio esterne.
- Doppio anello di tenuta in entrata, dove è possibile.
- Anelli di tenuta supplementare in uscita dove è possibile.
- Indicatore visivo di temperatura di massima.

Advised / Sugerito



Atex Cat. 2

For more information see our guide «Atex installation and maintenance guide» on our website.

Per ulteriori informazioni, consultare la nostra guida «Atex guida alla manutenzione e installazione» sul nostro sito..

Atex certification, not available for mounting position V5.
Certificazione Atex, non disponibile per posizione di montaggio V5.

ATEX Reducer category 3 Riduttore ATEX categoria 3

CODE **AX222**

- Use of synthetic oil and with oil plugs (oil plugs when possible).
- Utilizzo di soli olio sintetico e con tappi olio (tappi olio dove è possibile).

Advised / Sugerito

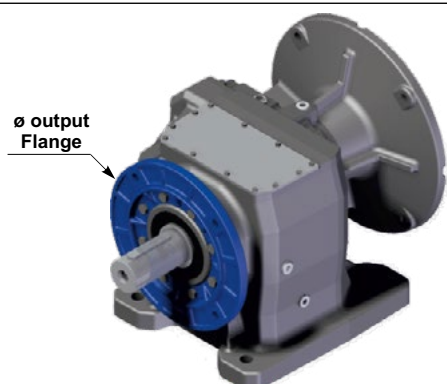


Atex Cat. 3

For more information see our guide «Atex installation and maintenance guide» on our website.

Per ulteriori informazioni, consultare la nostra guida «Atex guida alla manutenzione e installazione» sul nostro sito..

Atex certification, not available for mounting position V5.
Certificazione Atex, non disponibile per posizione di montaggio V5.



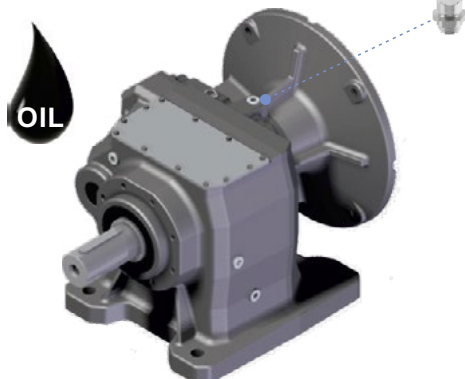
Mounting with feet and output flange
Montaggio con piedini e flangia di uscita

| | ø output Flange | S9 | S0 |
|------|-----------------|----|----|
| 1002 | 300 | ● | |
| 1003 | 350 | ● | |
| | 450 | ● | |
| 1102 | 350 | | ● |
| 1103 | 450 | | ● |

● Available / Disponibile

Housing with integral feet / Cassa con piede integrale

Oil for low temperature and food Olio per basse temperature e alimenti



CODE **OB150**

Agip Blasias 150
Shell Omala
Oil for low temperature
Olio per basse temperature

CODE **OF320**

Mobil SHC Cibus 320
Oil for food
Olio per alimenti

CODE **OS320**

Shell Omala 320
Synthetic oil
Olio sintetico

Advised / Sugerito

Low temperature.

* With pressure oil valve plug

Basse temperature.

* con tappo olio con valvola



Oil for food.

Olio per alimenti.

All plugs closed, low internal pressure.

Tappi chiusi, bassa pressione interna.

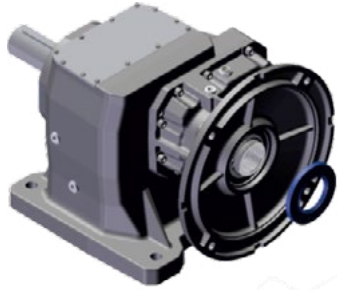
Coaxial - ACCESSORIES AND OPTIONS



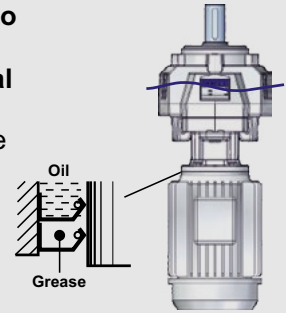
Double input oil seal
Doppio anello di tenuta in entrata

CODE **2ATEN**

Advised / Sugerito



Ideal for V6 vertical position.
Ideale per posizione verticale V6.



| | | 1002 | 1003 | 1102 | 1103 |
|-------------|---------|-----------|---------------|-----------|---------------|
| IEC | 132 B5 | 80x140x13 | Not available | 80x140x13 | Not available |
| | 160 B5 | 80x140x13 | Not available | 80x140x13 | Not available |
| | 180 B5 | 80x140x13 | Not available | 80x140x13 | Not available |
| | 200 B5 | 80x140x13 | — | 80x140x13 | — |
| | 225 B5 | — | — | 80x140x13 | — |
| NEMA | 182/4TC | — | Not available | — | Not available |
| | 213/5TC | — | Not available | — | Not available |
| | 254/6TC | — | Not available | — | Not available |
| | 284/6TC | 80x140x13 | — | 80x140x13 | — |
| | 324/6TC | 80x140x13 | — | 80x140x13 | — |

Output shaft Viton oil seals
Anelli di tenuta uscita in Viton

CODE **ATVIU**

Advised / Sugerito



| | Type |
|------|-----------|
| 1002 | 85x130x12 |
| 1003 | 85x130x12 |
| 1102 | 90x140x13 |
| 1103 | 90x140x13 |

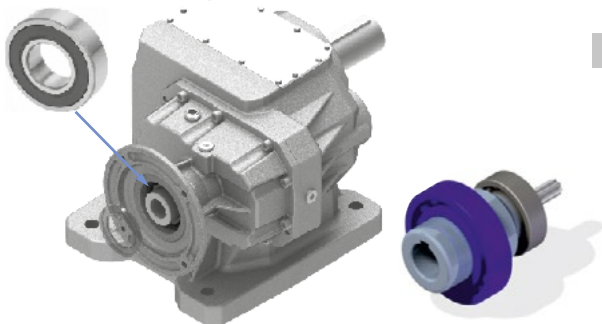
For ambient temperature >40°C
Per temperatura ambiente >40°C



Life lubricated bearings
Cuscinetti lubrificati a vita

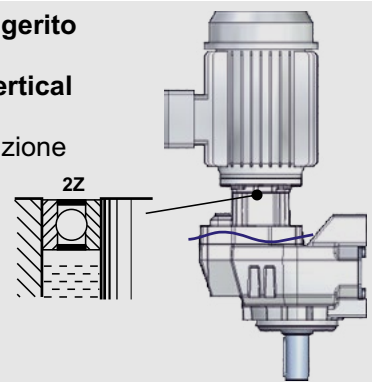
CODE **MONV5**

Advised / Sugerito



| | Type |
|------|------|
| 1103 | 6013 |

Ideal for V5 vertical position.
Ideale per posizione verticale V5.



Life lubricated bearings
Cuscinetti lubrificati a vita

CODE **MONV6**

Advised / Sugerito



| | Type |
|------|---------|
| 1002 | AV32017 |
| 1003 | AV32307 |
| 1102 | AV32018 |
| 1103 | AV32308 |

Ideal for V6 vertical position.
Ideale per posizione verticale V6.

